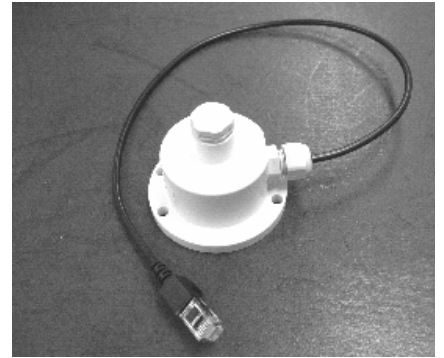


Smart (S-BPB-CM50)

S-BPB
Smart.



S-BPB

S-BPB

U30,
HOBO (H21-001)

HOBO (H21-002),

HOBO (H22)

	Smart	
	660	1070 (9.47 31.55)
	± 3.0 (0.088)	+25°C; ±5.0 (0.148)
		-40° +70°C
	0.1 (.003)	
	1.0 (0.03)	
	-40°	+70°C
	6.4	x 5.1
	96	
	12	
	1*	
	50	
Smart*	50	
	S-BPB-CM50	
CE	CE	

* HOBO

15

Smart 100

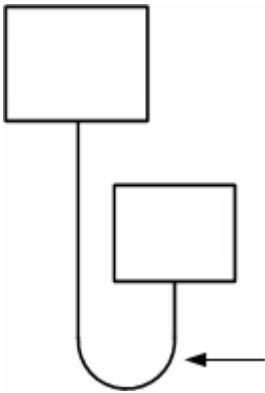
- Smart (S-BPB-CM50)
- :
- (2) ()
- (2) #8 x 1 ()

- Smart (S-EXT-M 005/010/025)
- (S-EXT-CASE)
- (M-CDY)

, , .
 , 10 10 1 ,
 . Onset 10 .
 , (1)

Onset
 Smart , Onset
 , Onset
 Onset (RMA)

S-BPB



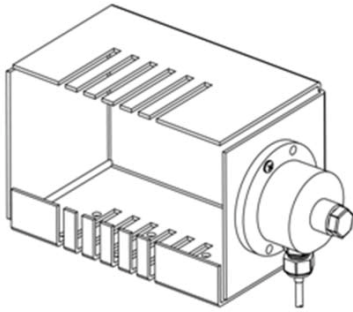
Onset.

8-32 x 3/8,

(M-CDY)

#8 x

HOBO U30.



S-BPB

S-BPB

Smart

HOBO

HOBO

Smart.